



MODEL AR-RBT
Remote Bias Tee
36 Volts / 12 Amps
30-520 MHz

Flexible system configuration, stronger signals, improved communications. Designed for use with the AR-50 and AR-75 families of Tactical Booster Amplifiers, the **AR-RBT** (Remote Bias Tee) combines RF signals (Tx/Rx) and DC power onto a single coax cable. By combining signals, AR Modular RF amplifiers can be co-located with the antenna, separated from both the host transceiver radio and power supply, providing flexible system design resulting in optimum performance. In addition to a cleaner, more efficient installation, co-locating the amplifier with the antenna minimizes transmit power loss and maximizes receiver performance, all while using a single power supply without being forced to make any sacrifices for either antenna or radio location. Built to withstand harsh environments, the AR-RBT is IP67 rated and is constructed with treated aluminum. The unit can withstand up to a 1000V-voltage spike on the coaxial line. A complete AR-RBT setup required two units.

GENERAL SPECIFICATIONS

FREQUENCY RANGE	30 to 520 MHz
INSERTION LOSS	0.6 dB max
RF POWER HANDLING	200 Watts
DC VOLTAGE RATING	18 to 36 Volts
DC CURRENT RATING	12 Amps max
INPUT/OUTPUT IMPEDANCE	50 Ohms
INPUT VSWR	1.50:1 typical

ENVIRONMENTAL SPECIFICATIONS

OPERATING TEMPERATURE	-40C to +70C
ALTITUDE (operating)	
ENCLOSURE RATING	IP67

MECHANICAL SPECIFICATIONS

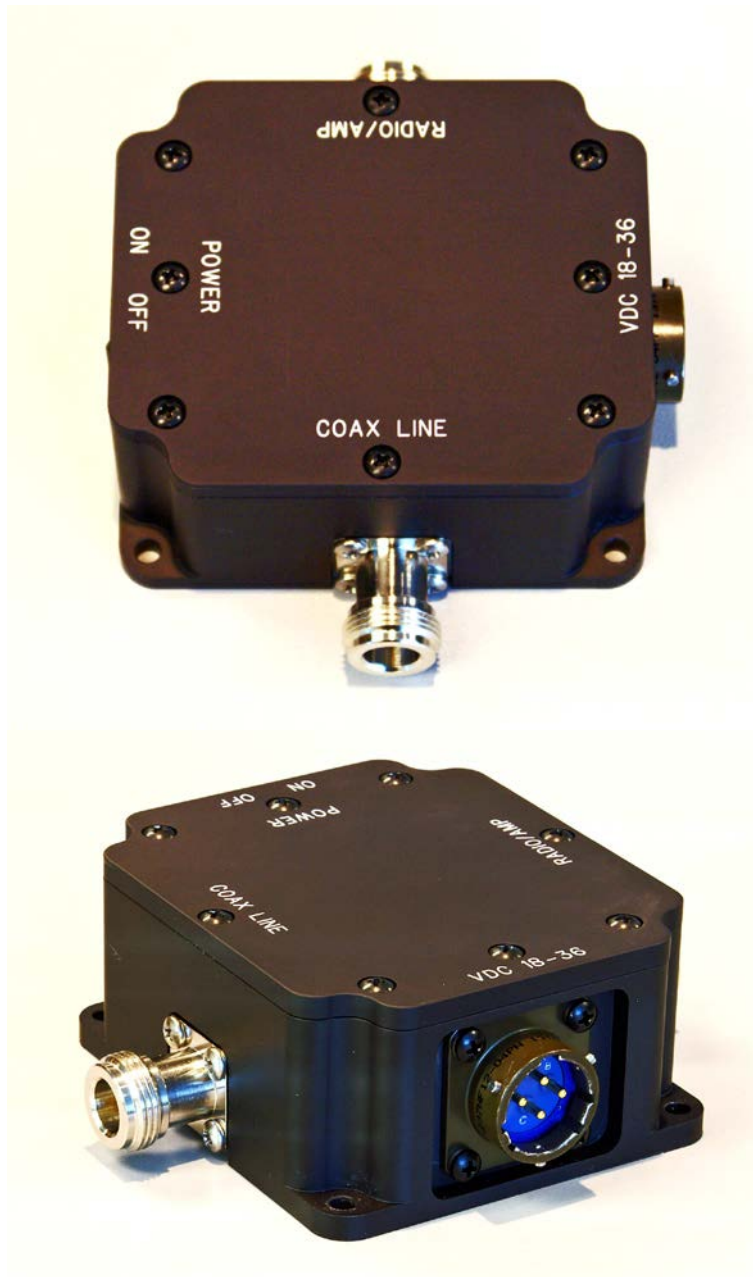
SIZE (LxWxH)	See product outline (below)
WEIGHT	0.84 lbs
RF CONNECTORS	N-type
DC CONNECTOR	Multi-Pin connector <ul style="list-style-type: none"> • Pin A, Pin B = +VDC • Pin C, Pin D = GND
CONSTRUCTION	Sealed waterproof aluminum treated to withstand harsh environments

AR-RBT PRODUCT DATASHEET
DOC-0000023 REV A
21 February 2018



modular rf

PRODUCT PHOTOS



AR-RBT PRODUCT DATASHEET
DOC-0000023 REV A
21 February 2018

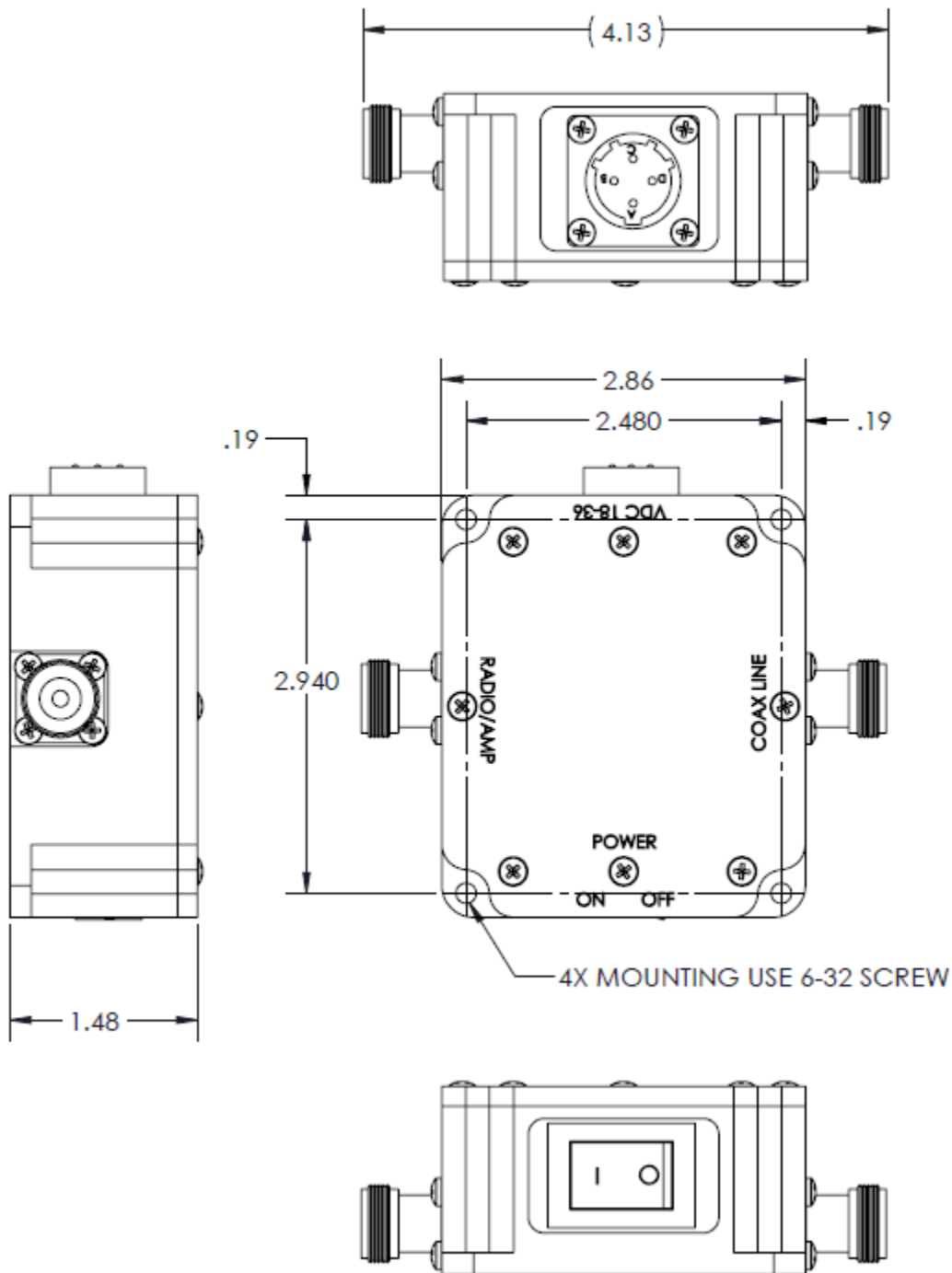
ar modular rf

21222 30th Dr SE, Suite 200 • Bothell, Washington 98021 • 425-485-9000 • Fax 425-486-9657 •
www.arworld.us

modular rf

PRODUCT OUTLINE

Units are in inches



AR-RBT PRODUCT DATASHEET
 DOC-00000023 REV A
 21 February 2018